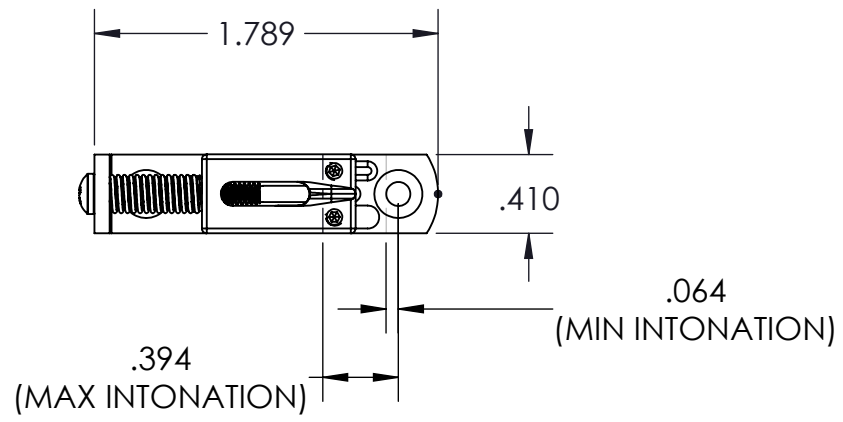


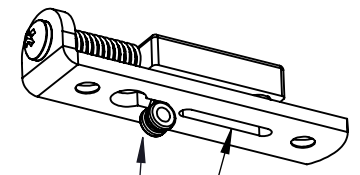
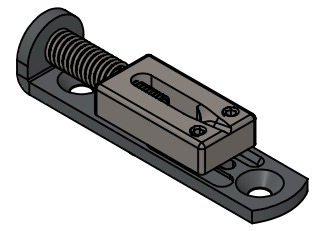
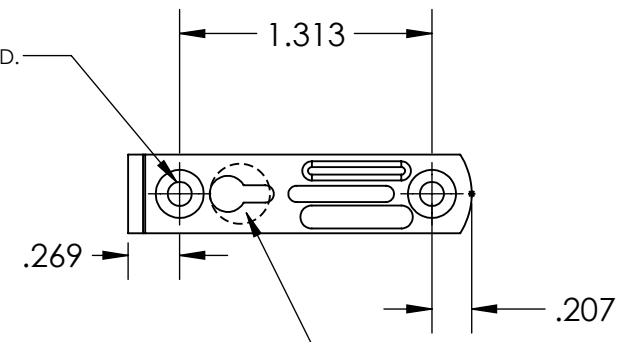
1 2 3 4 5 6

A
B
C
D



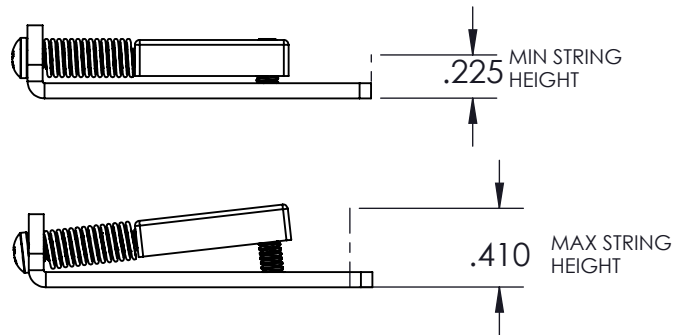
USE 5/64" PILOT DRILL
(2 PLACES)
LARGER DRILL MAY BE
NEEDED FOR HARDWOOD.

DRILL 5/16" HOLE
3/8" DEEP FOR TOP
LOADING



STRING BALL LOCKED INTO
POSITION BY KEYHOLE

SLOT FOR PIEZO WIRE
(PIEZO SADDLE NOT
INCLUDED)



WEIGHT (WITH MOUNTING HARDWARE): 0.56 oz

THIS DRAWING IS THE SOLE PROPERTY OF HIPSHOT PRODUCTS, INC.
ALL RIGHTS ARE RESERVED.
DIMENSIONS AND PRODUCT FEATURES ARE SUBJECT TO CHANGE
WITHOUT NOTICE.

UNLESS OTHERWISE SPECIFIED:
DIMENSIONS ARE IN INCHES
TOLERANCES: ± .005

IMAGE NOT DRAWN
TO SCALE

SOLO Single String Guitar Bridge

HiPSHOT

8248 STATE ROUTE 96
Interlaken, NY 14847 U.S.A.
TEL:607-532-9404 FAX:607-532-9530
E-MAIL: info@hipshotproducts.com

1 2 3